

# ModulArt

- Freestanding Unit
- Expandable
- Modular
- Versatile
- High Quality

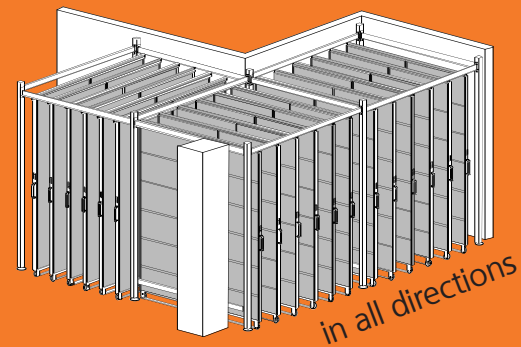
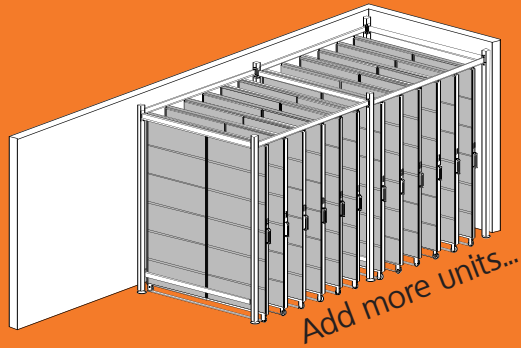
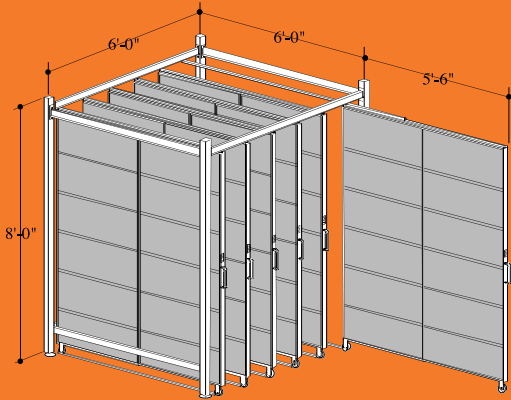


storage optimized



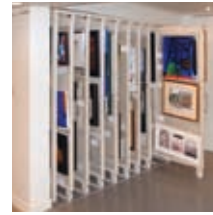
**MONTEL**<sup>®</sup>  
The Intelligent Use of Space

# Concept



## A word about our company

Established in 1924, Montel Inc. is the pioneer of high-density mobile shelving storage system solutions in North America. Manufacturer of products for office, institutional and industrial applications, Montel offers a complete line of products for fixed and mobile shelving storage units, cabinets, art racks and filing related accessories. Montel's achievements include some of the most prestigious projects in North America and around the world. The company serves clients through a network of Authorized Distributors throughout North America, Latin America, Europe and the Middle East.



## Features

ModulArt by Montel is a concept based on a stand-alone structure consisting of 6 retractable panels providing a 576 sq. ft hanging surface.

With no need for rails or false floors, the ModulArt concept of this space management breakthrough ensures easy integration of additional ModulArt units. The ability to expand in 3 directions greatly adds to its flexibility for storing growing collections.

ModulArt is designed to ensure that installation and layout reconfiguration will be quick and easy.

Side panels can be provided when additional storage surface is needed. To meet maximum storage needs, it is possible to increase ModulArt's capacity by attaching 5 additional sliding panels, thereby increasing storage capacity up to 1,056 sq.ft.

A few of the accessories offered include decorative finishing panels, top platforms and locking devices to secure your valuable collection. ModulArt's remarkable features make it a perfect addition to Museums and Art Galleries.



**MONTEL**<sup>®</sup>

The Intelligent Use of Space

877-935-0236

system@montel.com - www.montel.com



ISO  
9001:2000

